

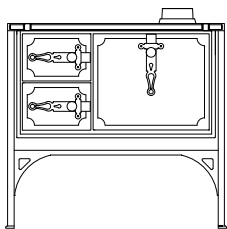
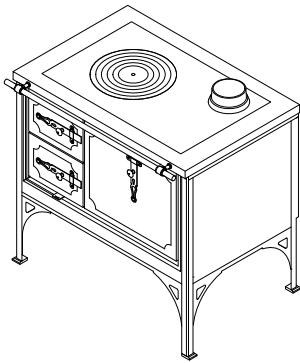
**FG90**

**WOOD-COOKERS "RUSTICA"**



mm 900x600xh850

CE EN -12815 certification



ARTE 14



ARTE 11



ARTE 12



ARTE 13

Available with:

- black

**STANDARD EQUIPMENT**

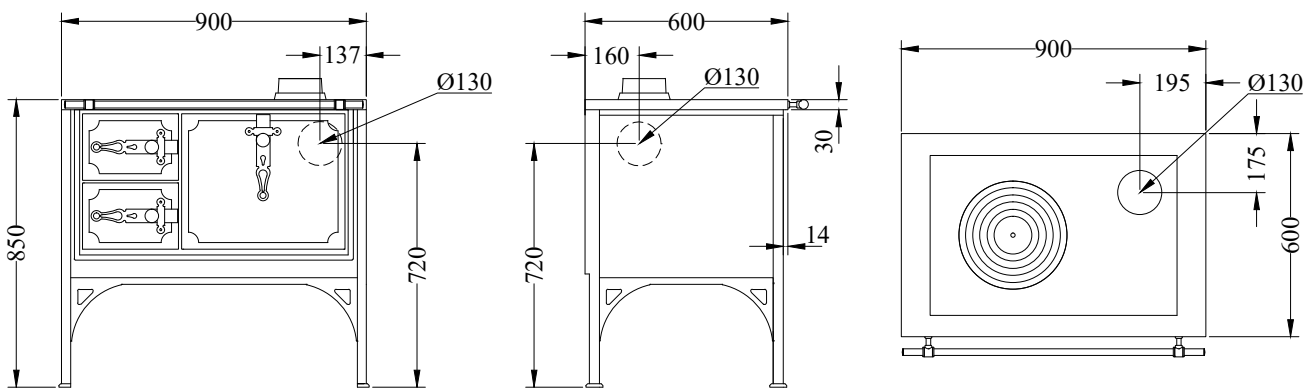
- cast -iron hotplate mm 730x470 with cooking rings set
- oven mm 350x420xh230, panoramic door
- oven, firebox and ash drawer blind doors
- arte range doors and knobs
- front handrail
- right or left top flue outlet  $\varnothing$  130 mm
- stainless steel frame of mm 30 (total h 850 mm)

**BY REQUEST**

- rear or side flue outlet, right or left  $\varnothing$  130 mm
- plan variations

**OPTIONALS:**

- front handrail s.steel or brass, 2 or 3 sides, heavy-duty radiant hotplate, stainless steel hotplate cover



Right flue version. Left flue version is symmetrical.

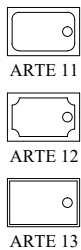
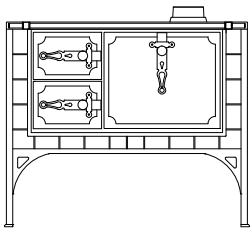
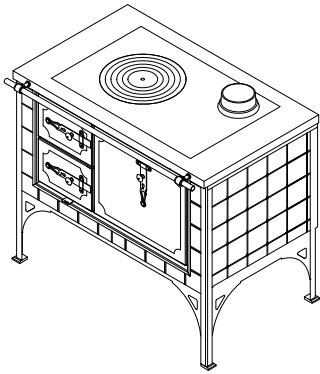
**DATA SHEET**

Nominal heat output: 5.5 kw	Efficiency: 85 %
Max heat output: 7.5 kw	Average DUST content to 13% O <sub>2</sub> : 29.4 mg/Nm <sup>3</sup>
Mean content of CO to 13% O <sub>2</sub> : 0.10 %	External flue air: $\varnothing$ 80 mm
Flue depression: mbar 0.12	Net weight/packaging included: kg 200/215

**FG100****WOOD-COOKERS "RUSTICA"**

mm 1000x600xh850

CE EN -12815 certification



Available with:

- standard ceramic tiles mm 100x100
- customer's ceramic tiles according to feasibility study
- white crude plaster
- black

**STANDARD EQUIPMENT**

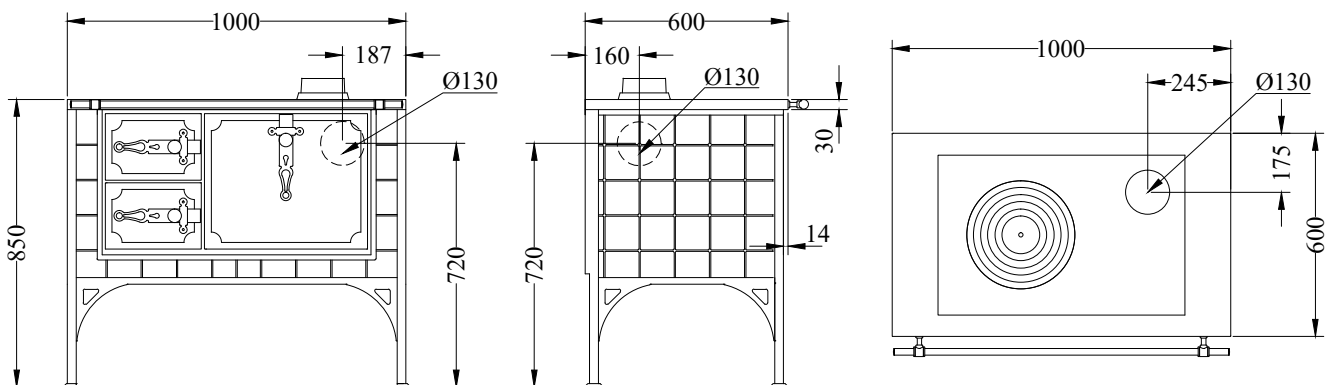
- cast -iron hotplate mm 730x470 with cooking rings set
- oven mm 350x420xh230, panoramic door
- oven, firebox and ash drawer blind doors
- arte range doors and knobs
- front handrail
- right or left top flue outlet  $\varnothing$  130 mm
- stainless steel frame of mm 30 (total h 850 mm)

**BY REQUEST**

- rear or side flue outlet, right or left  $\varnothing$  130 mm
- plan variations

**OPTIONALS:**

- front handrail s.steel or brass, 2 or 3 sides, heavy-duty radiant hotplate, stainless steel hotplate cover



Right flue version. Left flue version is symmetrical.

**DATA SHEET**

Nominal heat output: 5.5 kw	Efficiency: 85 %
Max heat output: 7.5 kw	Average DUST content to 13% O <sub>2</sub> : 29.4 mg/Nm <sup>3</sup>
Mean content of CO to 13% O <sub>2</sub> : 0.10 %	External flue air: $\varnothing$ 80 mm
Flue depression: mbar 0.12	Net weight/packaging included: kg 205/220